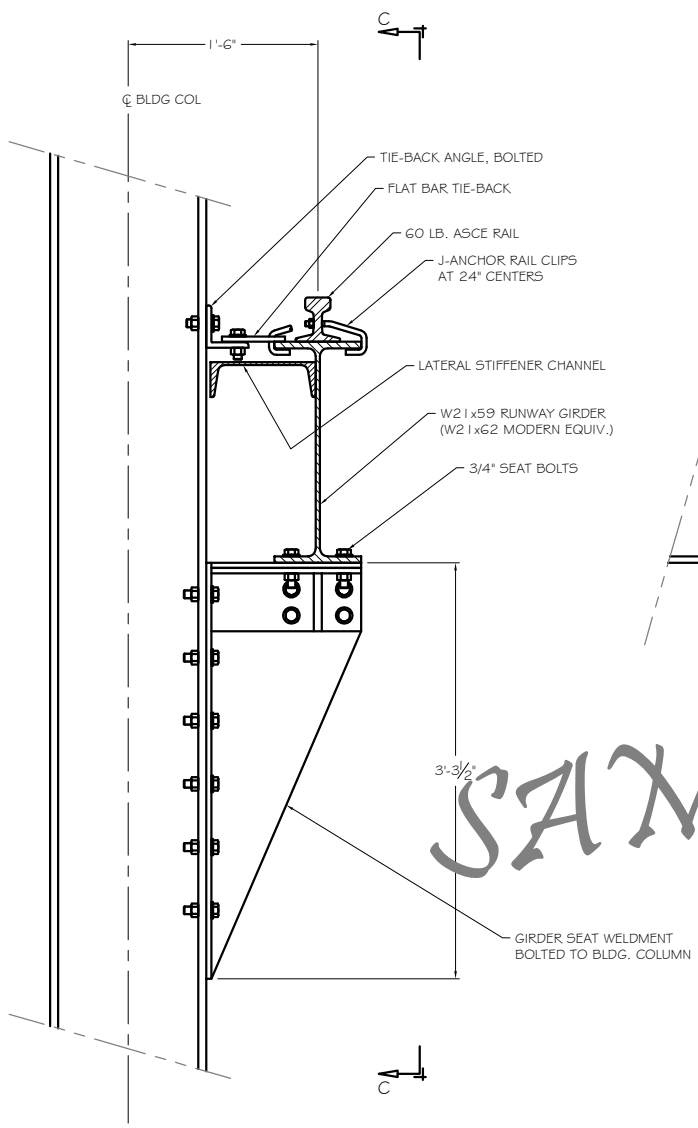
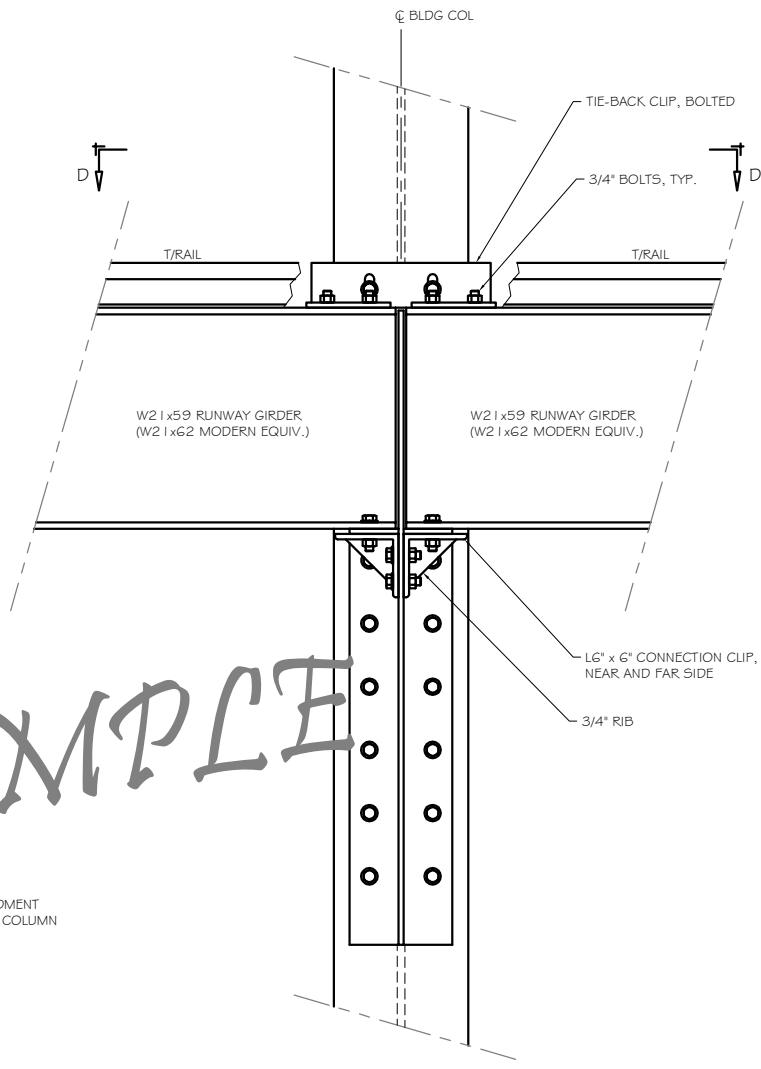


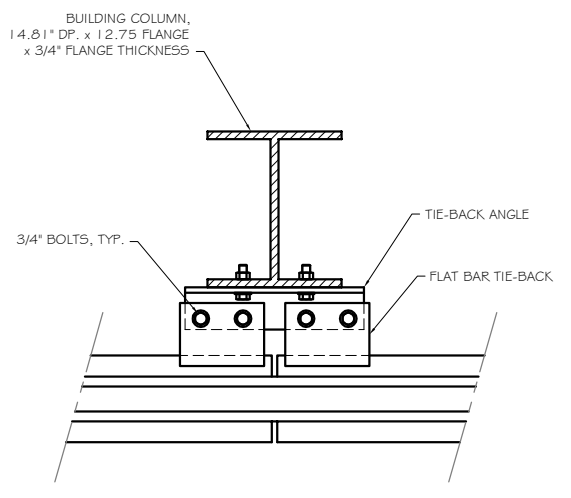
NOTE: ALL DIMENSIONS ARE FIELD MEASURED



ENLARGED VIEW B  
FROM DWG CR-002



VIEW C-C



VIEW D-D

SAMPLE